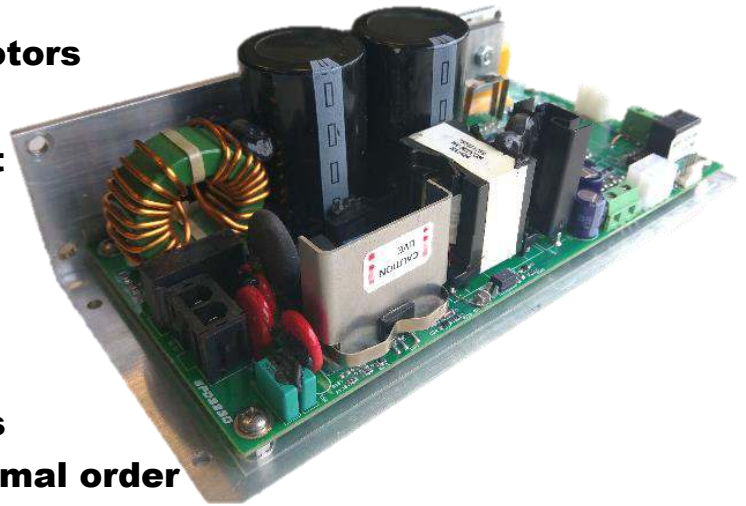




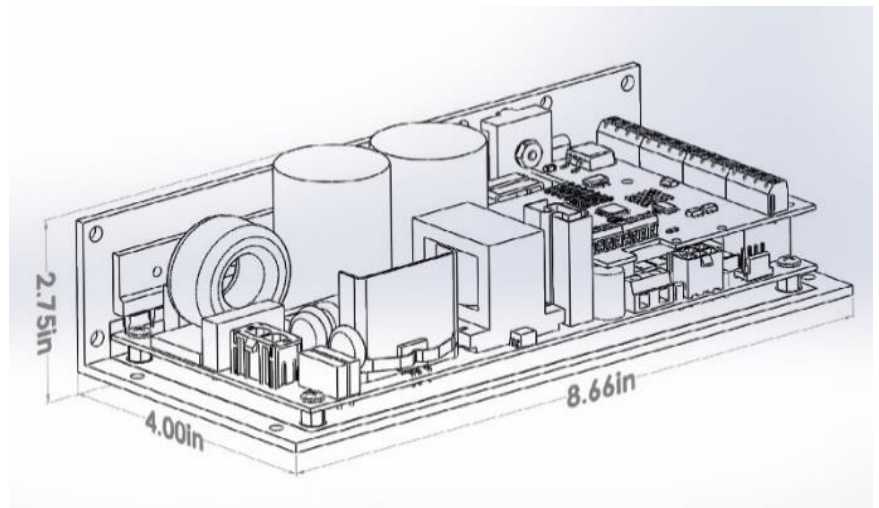
SPD-2230 *Single-Phase OEM Motor Drive*

Invention House provides custom and off-the-shelf power drive solutions for demanding OEM applications. These compact drives operate in rugged environments over a wide range of voltage, frequency, and temperature. A certified small business, Invention House has been delivering inverters, and motor controls with in-house design, test and production for 20 years.

- **Cryogenic compressors, Linear motors**
- **Shakers, Ozone Cells, Fans**
- **Single-Phase In – Single-Phase Out**
- **120/230 VAC – 10AMPS rms (2HP)**
- **50/60/400Hz – Up to 25kHz Output**
- **-40C to +55C Operation**
- **Built-in 24VDC 3A Power Supply**
- **5-24VAC/DC I/O and Serial Interfaces**
- **Functional Programming with minimal order**
- **Connectorized Input/Output for quick factory assembly**



Optional I/O Expansion Module



Basic Dimensions

See reverse side for technical specifications

SPD-2230 *Single-Phase OEM Motor Drive*

Model		SPD-2230GP	SPD-2230T	Custom
Maximum Motor Capacity (HP)		2Hp		
Input	Input Current (A)* *Input current varies depending on the power supply impedance	15Amps rms		
	Rated Voltage	115, 208, 230		
	Rated Frequency	50, 60	50, 60, 400	
	Allowable Voltage Fluctuation	-10 to +10%		
Output	Rated Output Capacity (kVA)	2.3KVA		
	Rated Output Current (A)	10		
	Overload Tolerance	120% of rated output current for 60s		
	Carrier Frequency	5kHz		
	Maximum Output Voltage (V)	230 proportional to input		
Control Characteristics	Control Method	V/F Control		
	Frequency Control Range (Hz)	55-65	25Hkz	2-400
	Frequency Accuracy	1% -40 ° C to 55 ° C		
	Frequency Setting Resolution	.25Hz		
	Frequency Setting Signal	Serial, Preset speeds		
	Speed Response	5 Hz		
	Current Limit	Runs in limit, does not trip		
	Accel/Decel time	3 to 20 second		
	Braking Torque	N/A		
	Main Control Functions	Speed Control, Run in current limit, upper lower limits for frequency reference, fault restart		
Protection Functions	Motor Protection	Current limit function but not UL recognized		
	Overload Protection	Drive folds back when output current exceeds 120%		
	Overvoltage Protection	Stops when DC bus voltage exceeds approx. 410 V		
	Undervoltage Protection	Stops when DC bus voltage falls below approx. 150 V		
	Heatsink Overheat Protection	100 ° C		
	Stall Prevention	Stall prevention is available during acceleration, deceleration, and run		
Environment	Area of Use	Indoors, outdoors with appropriate enclosure		
	Ambient Temperature	-40 ° C to +55 ° C		
	Storage Temperature	-40 ° C to +60 ° C		
	Humidity	95 RH% or less (no condensation)		
	Altitude	1000 meters w/o derating, up to 3000 m with derating		
	Vibration	2grms per MIL STD-810 Composite Wheel		
	Shock	40gs per MIL STD-810		