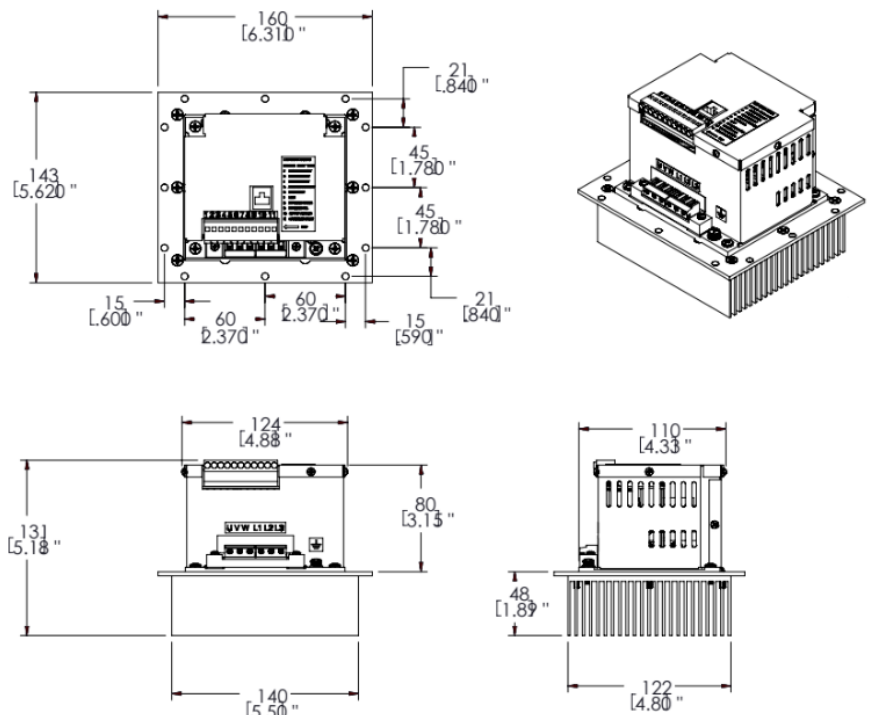




# 3PD-3230 *Three-Phase OEM Motor Drive*

Invention House provides custom and off-the-shelf power drive solutions for demanding OEM applications. These compact drives operate in rugged environments over a wide range of voltage, frequency and temperature. A certified small business, Invention House has been delivering inverters and motor controls with in-house design, test and production for 20 years.

- **CBRN Filters, Fans, Pumps, Compressors**
- **Blowers, Light Winches**
- **Three- or Single-Phase In - Three-Phase Out**
- **230VAC – 10Amps rms (3HP)**
- **50/60/400Hz Output**
- **Built-in 24V<sub>DC</sub> 20W Power Supply**
- **-40C to +55C Operation**
- **40g Shock, 2grms vib**
- **Low air flow required**



See reverse side for technical specifications

# 3PD-3230 *Single-Phase OEM Motor Drive*

Model		3PD-32010GP	3PD-3230F	3PD-3230C	Custom
Maximum Motor Capacity (HP)		4			
Input	Input Current (A)* *Input current varies depending on the power supply impedance	15Amps rms			
	Rated Voltage	208, 230			
	Rated Frequency	50, 60			50, 60, 400
	Allowable Voltage Fluctuation	-10 to +10%			
Output	Rated Output Capacity (kVA)	4			
	Rated Output Current (A)	10			
	Overload Tolerance	120% of rated output current for 60s			
	Carrier Frequency	5kHz			
	Maximum Output Voltage (V)	208, 230 proportional to input			
Control Characteristics	Control Method	V/F Control			
	Frequency Control Range (Hz)	2-120	2-70	2-85	2-400
	Frequency Accuracy	1% -40 ° C to +55 ° C			
	Frequency Setting Resolution	.25Hz			
	Frequency Setting Signal	DC 0 to +10 V (20k Ω)			
	Speed Response	5 Hz			
	Current Limit	Runs in limit, does not trip			
	Accel/Decel time	3 to 20 second			
	Braking Torque	N/A			
	Main Control Functions	Speed Control, Run in current limit, upper lower limits for frequency reference, fault restart			
Protection Functions	Motor Protection	Current limit function not UL recognized			
	Overload Protection	Drive folds back when output current exceeds 150%			
	Oversvoltage Protection	Stops when DC bus voltage exceeds approx. 410 V			
	Undervoltage Protection	Stops when DC bus voltage falls below approx. 150 V			
	Heatsink Overheat Protection	100 ° C			
	Stall Prevention	Stall prevention is available during acceleration, deceleration, and run			
Environment	Area of Use	Indoors, outdoors with appropriate enclosure			
	Ambient Temperature	-40 ° C to +55 ° C			
	Storage Temperature	-40 ° C to +60 ° C			
	Humidity	95 RH% or less (no condensation)			
	Altitude	1000 meters w/o derating, up to 3000 m with derating			
	Vibration	2grms per MIL STD-810 Composite Wheel			
	Shock	40gs per MIL STD-810			